

DH-HAC-HFW3231E-ZT

2Megapixel 1080P Starlight HDCVI IR Bullet Camera



Features

- 1/2.8" 2.1Megapixel CMOS
- 25/30fps@1080P, 25/30/50/60fps@720P
- High speed, long distance real-time transmission
- HDCVI, SDI and SD output, SD Tester out
- OSD Menu, control over coaxial cable
- 120dB True WDR, Day/Night(ICR), AWB, AGC, BLC, 3DNR
- Audio, Alarm, Heater(optional)
- 2.7~12mm motorized lens, Auto Iris
- Max. IR LEDs length 100m, Smart IR
- IP67, IK10, AC24V/DC12V

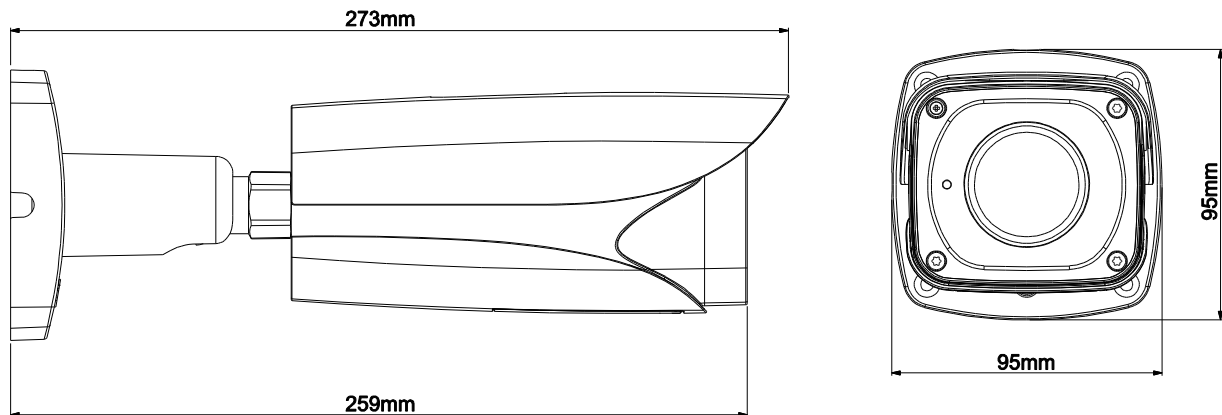
DH-HAC-HFW3231E-ZT

Technical Specifications


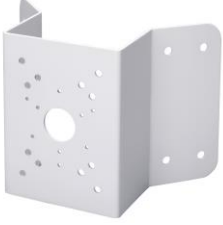

Model	DH-HAC-HFW3231EP-ZT	DH-HAC-HFW3231EN-ZT
Camera		
Image Sensor	1/2.8" 2.1Megapixel CMOS	
Effective Pixels	1945(H)×1097(V)	
Electronic Shutter	1.3s~1/30,000s	1s~1/30,000s
Video Frame Rate	25/50fps@720P; 25fps@1080P	30/60fps@720P; 30fps@1080P
Synchronization	Internal	
Mini. Illumination	0.005Lux/F1.4, 0Lux IR on	
Video Output	1-channel BNC HDCVI high definition video output 1-channel BNC SDI video output 1-channel BNC CVBS standard definition video output SD Tester out	
Camera Features		
Max. IR LEDs Length	100m, Smart IR	
Day/Night	Auto(ICR) / Color / B/W	
Noise Reduction	2D/3D	
OSD Menu	Support	
Lens		
Focal Length	2.7~12mm	
Angle of View	H: 95° ~36°	
Lens Type	Motorized / Auto Iris	
Mount Type	Φ14	
Auxiliary Functions		
Alarm	1 channel in/out	
Audio	1 channel in	
Heater	Optional	
General		
Power Supply	AC24V±25% / DC12V±25%	
Power Consumption	Max 16.6W	
Working Environment	-30°C~+60°C / Less than 95%RH (no condensation)	
Transmission Distance	Over 500m via 75-3 coaxial cable	
Ingress Protection	IP67, IK10	
Dimensions(W×D×H)	273mm×95mm×95mm	
Weight	1.2kg	
Material	Metal	

DH-HAC-HFW3231E-ZT

Dimensions (mm)



Accessories (optional)

		
PFA121	PFA151	PFA152

Dahua Technology Co., Ltd.

1199 BinAn Road, Binjiang District, Hangzhou, China

Tel: +86-571-87688883

Fax: +86-571-87688815

Email: overseas@dahuatech.com

www.dahuatech.com

*Design and specifications are subject to change without notice.

© 2014 Dahua Technology Co., Ltd.