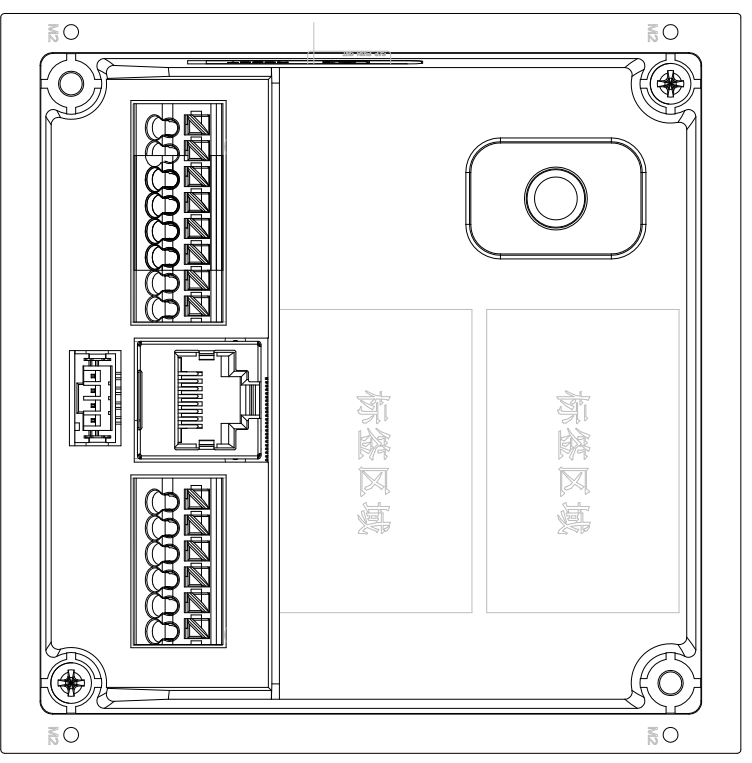
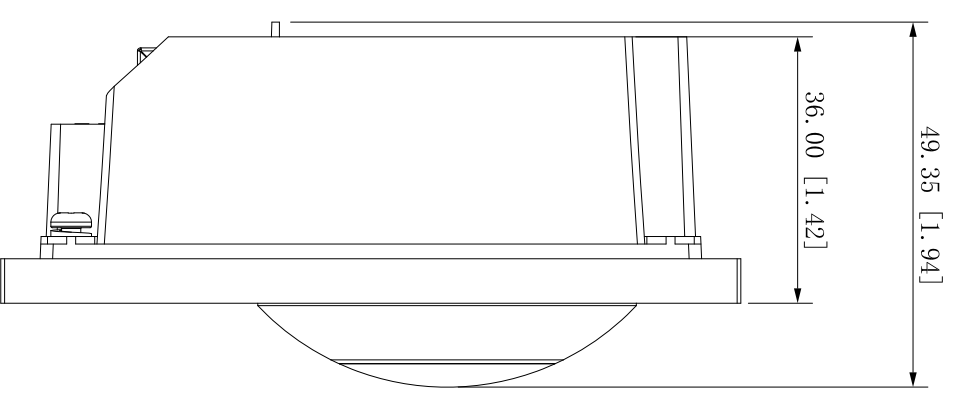
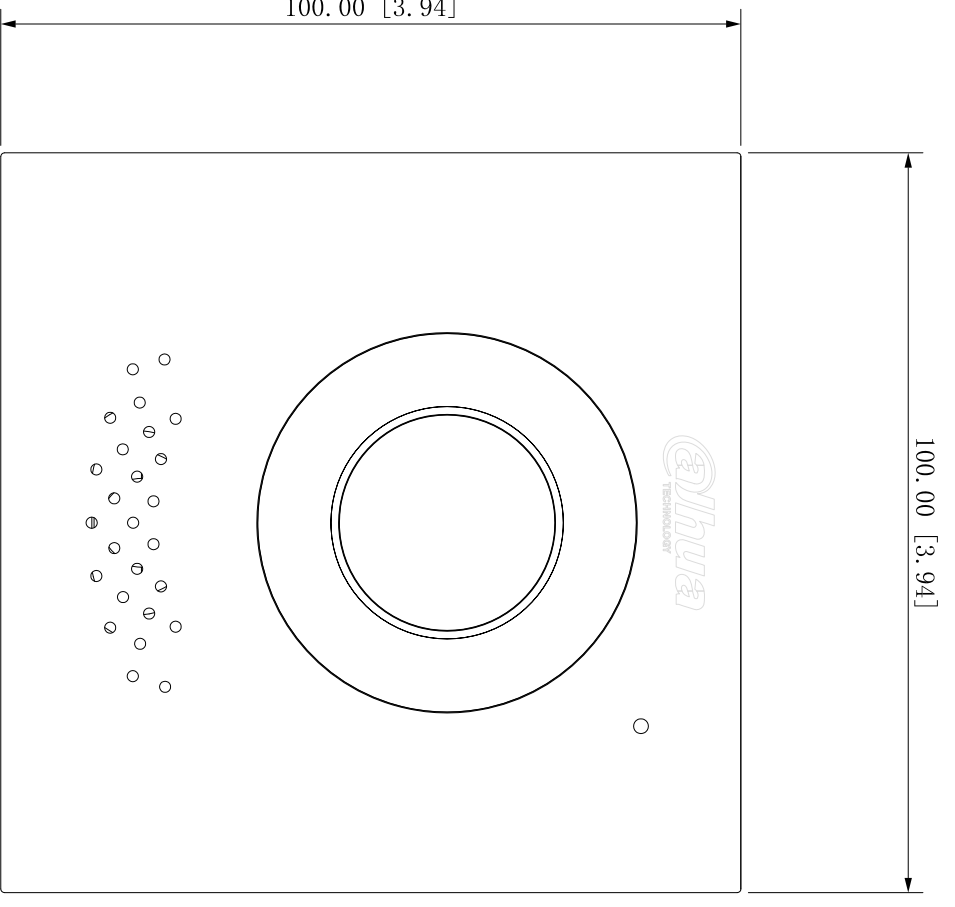


REVISIONS					
REV	ZONE	MARK	DESCRIPTION	DATE	CHANGED



.X	±0.2		±0.5		TITLE:	ZAO28X-00-主模块组件
.XX	±0.15				UNIT: S. mm	DWG NO.:
.XXX	±0.05	ANG			SCALE: 1:1	PART NO.:
THESE DIMENSIONS AND SPECIFICATIONS ARE THE PROPERTY OF ZHEJIANG DAHUA TECHNOLOGY CO., LTD. AND SHALL NOT BE REPRODUCED, COPIED OR USED IN ANY MANNER WITHOUT THE PRIOR WRITTEN CONSENT OF ZHEJIANG DAHUA TECHNOLOGY Co., LTD.				DRAW:  浙江大华技术股份有限公司 ZHEJIANG DAHUA TECHNOLOGY CO., LTD.	DATE:	
					CHKD:	
					STAD:	
					APPD:	
					DATE:	
					DATE:	
					DATE:	
					SHEET: 1 OF 1	