



Villa VTO
(Version 4.3)
Quick Start Guide

V1.0.0

Cybersecurity Recommendations

Mandatory actions to be taken towards cybersecurity

1. Change Passwords and Use Strong Passwords:

The number one reason systems get “hacked” is due to having weak or default passwords. It is recommended to change default passwords immediately and choose a strong password whenever possible. A strong password should be made up of at least 8 characters and a combination of special characters, numbers, and upper and lower case letters.

2. Update Firmware

As is standard procedure in the tech-industry, we recommend keeping NVR, DVR, and IP camera firmware up-to-date to ensure the system is current with the latest security patches and fixes.

“Nice to have” recommendations to improve your network security

1. Change Passwords Regularly

Regularly change the credentials to your devices to help ensure that only authorized users are able to access the system.

2. Change Default HTTP and TCP Ports:

- Change default HTTP and TCP ports for systems. These are the two ports used to communicate and to view video feeds remotely.
- These ports can be changed to any set of numbers between 1025-65535. Avoiding the default ports reduces the risk of outsiders being able to guess which ports you are using.

3. Enable HTTPS/SSL:

Set up an SSL Certificate to enable HTTPS. This will encrypt all communication between your devices and recorder.

4. Enable IP Filter:

Enabling your IP filter will prevent everyone, except those with specified IP addresses, from accessing the system.

5. Change ONVIF Password:

On older IP Camera firmware, the ONVIF password does not change when you change the system’s credentials. You will need to either update the camera’s firmware to the latest revision or manually change the ONVIF password.

6. Forward Only Ports You Need:

- Only forward the HTTP and TCP ports that you need to use. Do not forward a huge range of numbers to the device. Do not DMZ the device's IP address.
- You do not need to forward any ports for individual cameras if they are all connected to a recorder on site; just the NVR is needed.

7. Disable Auto-Login on SmartPSS:

Those using SmartPSS to view their system and on a computer that is used by multiple people should disable auto-login. This adds a layer of security to prevent users without the appropriate credentials from accessing the system.

8. Use a Different Username and Password for SmartPSS:

In the event that your social media, bank, email, etc. account is compromised, you would not want someone collecting those passwords and trying them out on your video surveillance system. Using a different username and password for your security system will make it more difficult for someone to guess their way into your system.

9. Limit Features of Guest Accounts:

If your system is set up for multiple users, ensure that each user only has rights to features and functions they need to use to perform their job.

10. UPnP:

- UPnP will automatically try to forward ports in your router or modem. Normally this would be a good thing. However, if your system automatically forwards the ports and you leave the credentials defaulted, you may end up with unwanted visitors.
- If you manually forwarded the HTTP and TCP ports in your router/modem, this feature should be turned off regardless. Disabling UPnP is recommended when the function is not used in real applications.

11. SNMP:

Disable SNMP if you are not using it. If you are using SNMP, you should do so only temporarily, for tracing and testing purposes only.

12. Multicast:

Multicast is used to share video streams between two recorders. Currently there are no known issues involving Multicast, but if you are not using this feature, deactivation can enhance your network security.

13. Check the Log:

If you suspect that someone has gained unauthorized access to your system, you can check the system log. The system log will show you which IP addresses were used to login to your system and what was accessed.

14. Physically Lock Down the Device:

Ideally, you want to prevent any unauthorized physical access to your system. The best way to achieve this is to install the recorder in a lockbox, locking server rack, or in a room that is behind a lock and key.

15. Connect IP Cameras to the PoE Ports on the Back of an NVR:

Cameras connected to the PoE ports on the back of an NVR are isolated from the outside world and cannot be accessed directly.

16. Isolate NVR and IP Camera Network




The network your NVR and IP camera resides on should not be the same network as your public computer network. This will prevent any visitors or unwanted guests from getting access to the same network the security system needs in order to function properly.

General

This Guide introduces the structure, mounting process, and basic configuration of the device.

Safety Instructions

The following categorized signal words with defined meaning might appear in the Guide.

Signal Words	Meaning
 WARNING	Indicates a medium or low potential hazard which, if not avoided, could result in slight or moderate injury.
 CAUTION	Indicates a potential risk which, if not avoided, could result in property damage, data loss, lower performance, or unpredictable result.
 NOTE	Provides additional information as the emphasis and supplement to the text.

Revision History

No.	Version	Revision Content	Release Date
1	V1.0.0	First release	September, 2018
2	V1.0.1	Added waterproof operations in installation	November 2019

About the Guide

- The Guide is for reference only. If there is inconsistency between the Guide and the actual product, the actual product shall prevail.
- We are not liable for any loss caused by the operations that do not comply with the Guide.
- The Guide would be updated according to the latest laws and regulations of related regions. For detailed information, see the paper manual, CD-ROM, QR code or our official website. If there is inconsistency between paper manual and the electronic version, the electronic version shall prevail.
- All the designs and software are subject to change without prior written notice. The product updates might cause some differences between the actual product and the Guide. Please contact the customer service for the latest program and supplementary documentation.
- There still might be deviation in technical data, functions and operations description, or errors in print. If there is any doubt or dispute, please refer to our final explanation.
- Upgrade the reader software or try other mainstream reader software if the Guide (in PDF format) cannot be opened.
- All trademarks, registered trademarks and the company names in the Guide are the properties of their respective owners.

- Please visit our website, contact the supplier or customer service if there is any problem occurred when using the device.
- If there is any uncertainty or controversy, please refer to our final explanation.

Important Safeguards and Warnings

The following description is the correct application method of the device. Please read the manual carefully before use, in order to prevent danger and property loss. Strictly conform to the manual during application and keep it properly after reading.

Operating Requirement

- Please don't place and install the device in an area exposed to direct sunlight or near heat generating device.
- Please don't install the device in a humid, dusty or fuliginous area.
- Please keep its horizontal installation, or install it at stable places, and prevent it from falling.
- Please don't drip or splash liquids onto the device; don't put on the device anything filled with liquids, in order to prevent liquids from flowing into the device.
- Please install the device at well-ventilated places; don't block its ventilation opening.
- Use the device only within rated input and output range.
- Please don't dismantle the device arbitrarily.
- Please transport, use and store the device within allowed humidity and temperature range.

Power Requirement

- The product shall use electric wires (power wires) recommended by this area, which shall be used within its rated specification!
- Please use power supply that meets SELV (safety extra low voltage) requirements, and supply power with rated voltage that conforms to Limited Power Source in IEC60950-1. For specific power supply requirements, please refer to device labels.
- Appliance coupler is a disconnecting device. During normal use, please keep an angle that facilitates operation.

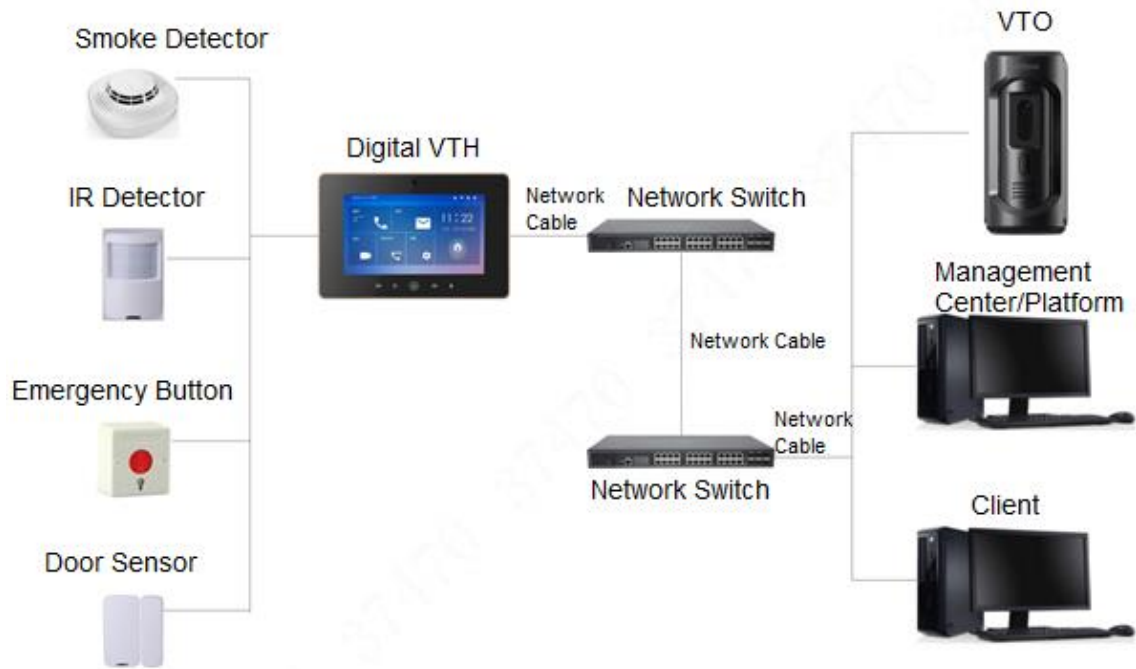
Table of Contents

Cybersecurity Recommendations	I
Foreword	IV
Important Safeguards and Warnings	VI
1 Network Diagram	1
2 Appearance	2
2.1 VTO6210B/VTO6210BW	2
2.1.1 Front Panel	2
2.1.2 Rear Panel	3
2.2 VTO6000CM/VTO6100C	4
2.2.1 Front Panel	4
2.2.2 Rear Panel	5
2.3 VTO2000A/VTO2000A-2	6
2.3.1 Front Panel	6
2.3.2 Rear Panel	7
2.4 VTO2101E-P	8
2.4.1 Front Panel	8
2.4.2 Rear Panel	9
2.5 VTO3211D-P	10
2.5.1 Front Panel	10
2.5.2 Rear Panel	11
3 Installation	13
3.1 Installation Requirement	13
3.1.1 Notice	13
3.1.2 Guidance	13
3.2 Installing VTO	14
3.2.1 VTO6210B/VTO6210BW	14
3.2.2 VTO6000CM/VTO6100C	15
3.2.3 VTO2000A/VTO2000A-2	16
3.2.4 VTO2101E-P	20
3.2.5 VTO3211D-P	21
4 Configuration	23
4.1 Configuration Process	23
4.2 VDPCConfig	23
4.3 Configuring VTO	23
4.3.1 Initialization	23
4.3.2 Configuring VTO Number	24
4.3.3 Configuring Network Parameters	25
4.3.4 Configuring SIP Server	26
4.3.5 Configuring Call No. and Group Call	27
4.3.6 Adding VTO Devices	27
4.3.7 Adding Room Number	29

4.4 Verifying Configuration.....	30
4.4.1 Calling VTH from VTO.....	30
4.4.2 Monitoring from VTH.....	31
5 Connecting Mobile Phone App	33

1

Network Diagram



2.1 VTO6210B/VTO6210BW

2.1.1 Front Panel

Figure 2-1 VTO6210B/VTO6210BW

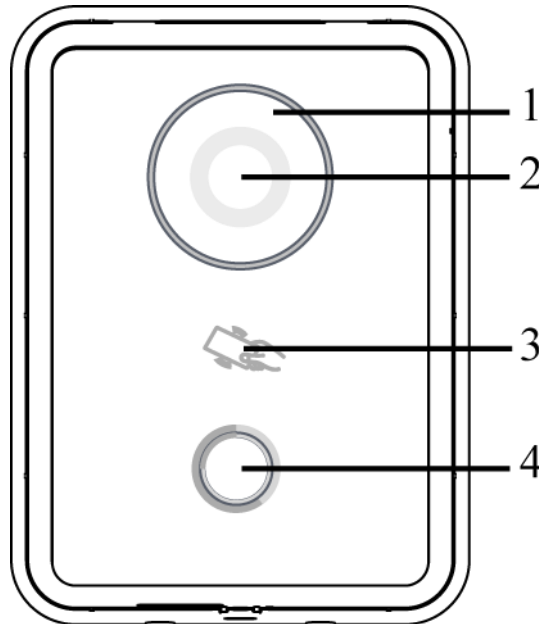



Table 2-1 Front panel description

No.	Name	Description
1	Fill light	Provides extra light for the camera.
2	Camera	Monitors door area.
3	Access card reader	Recognizes access card and unlock.  Make sure that the access module is connected.
4	Call button	Press to call VTH or the management center.

2.1.2 Rear Panel

Figure 2-2 VTO6210B/VTO6210BW

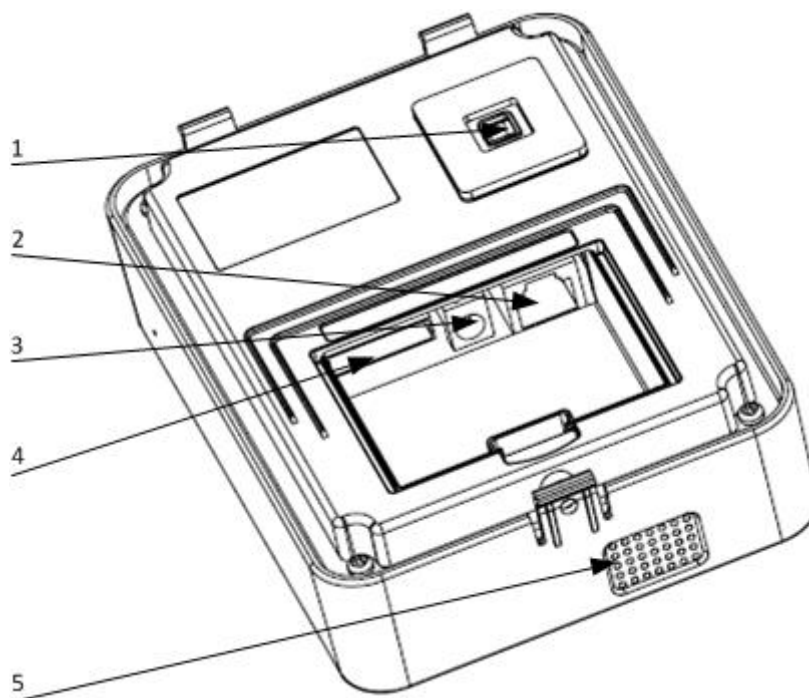


Table 2-2 Rear panel description

No.	Name	Description
1	Tamper alarm	The VTO would make alarm sound if it is being removed from the wall by force, and the alarm will also be sent to the management center.
2	Ethernet port	Connects to the network with Ethernet cable.
3	Power port	Inputs 12V DC power to the VTO.
4	Cable ports	Includes lock port, door sensor feedback port, and exit button port. See Figure 2-3 and Figure 2-4.
5	Speaker	Outputs audio.

Figure 2-3 Connecting cable (1)

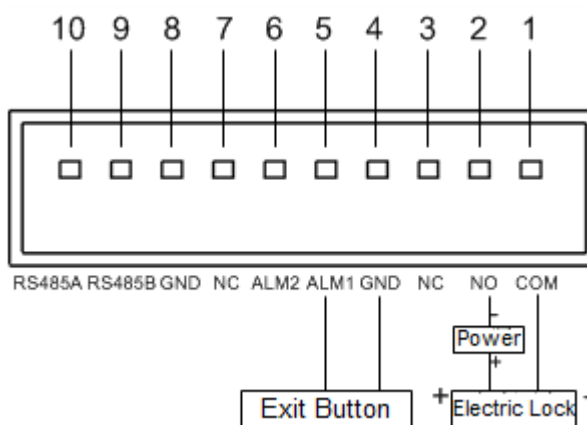
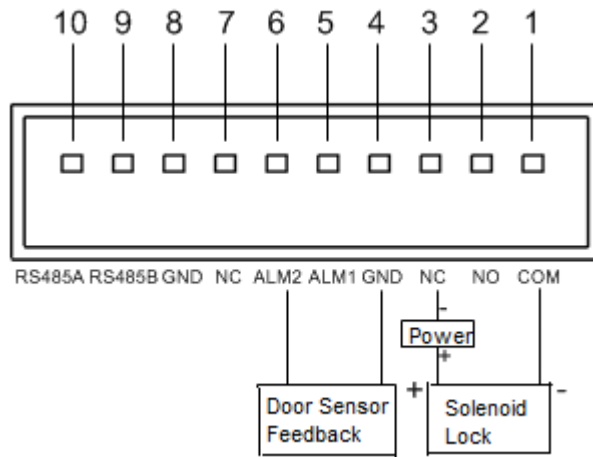


Figure 2-4 Connecting cable (2)



2.2 VTO6000CM/VTO6100C

2.2.1 Front Panel

Figure 2-5 VTO6000CM

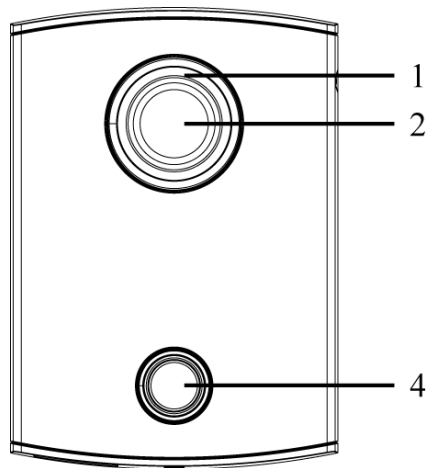


Figure 2-6 VTO6100C

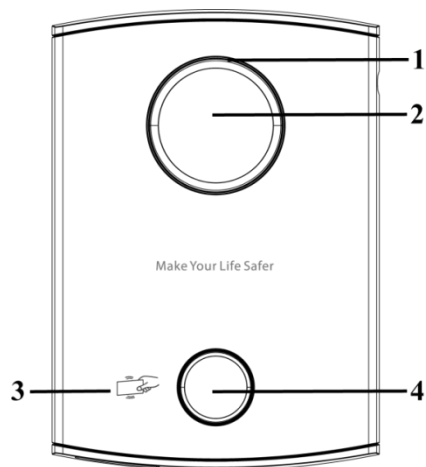


Table 2-3 Front panel description

No.	Name	Description
-----	------	-------------

No.	Name	Description
1	Fill light	Provides extra light for the camera.
2	Camera	Monitors door area.
3	Access card reader	Recognizes access card and unlock.
4	Call button	Press to call VTH or the management center.

2.2.2 Rear Panel

Figure 2-7 VTO6000CM/VTO6100C

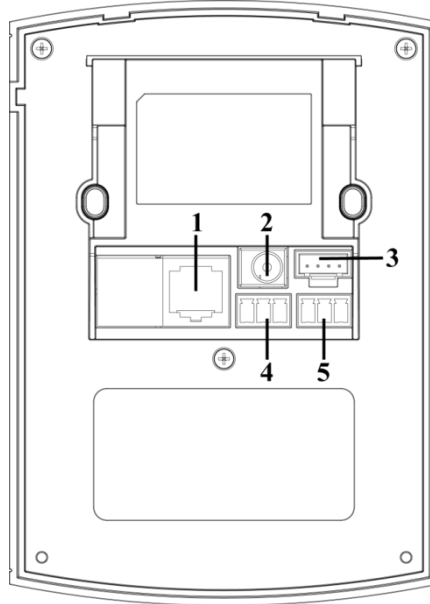


Table 2-4 Rear panel description

No.	Name	Description
1	Ethernet port	Connects to the network with Ethernet cable.
2	Power port	Inputs 12V DC power to the VTO.
3	Debugging port	It is for engineering personnels during debugging.
4	Cable ports 1	Includes lock port, door sensor feedback port, and exit button port. See Figure 2-8 and Figure 2-9.
5	Cable ports 2	

Figure 2-8 Connecting cable (1)

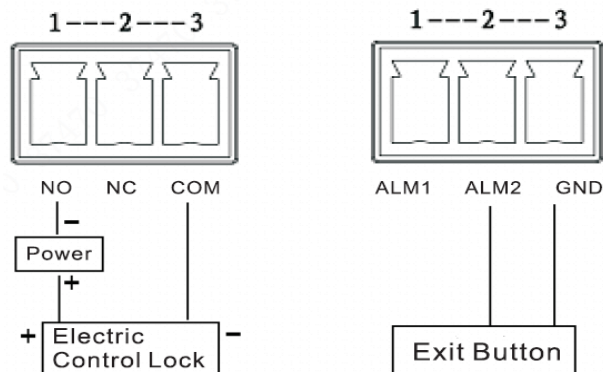
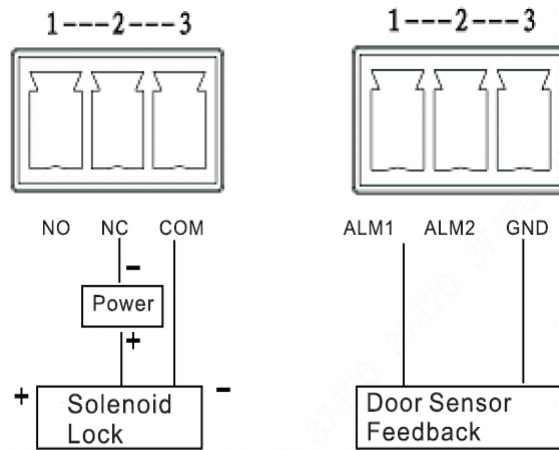


Figure 2-9 Connecting cable (2)



2.3 VTO2000A/VTO2000A-2

2.3.1 Front Panel

Figure 2-10 VTO2000A/VTO2000A-2

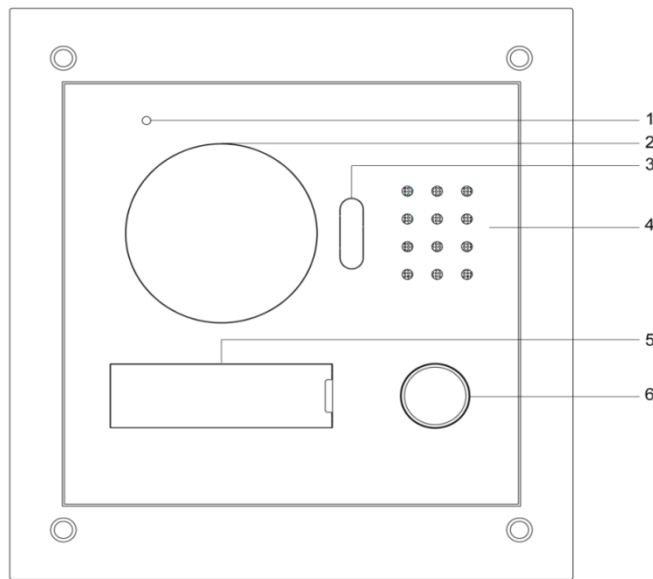


Table 2-5 Front panel description

No.	Name	Description
1	MIC	Inputs audio.
2	Camera	Monitors door area.
3	Fill light	Provides extra light for the camera.
4	Speaker	Outputs audio.
5	Tag slot	Put on information as needed.
6	Call button	Press to call VTH or the management center.

2.3.2 Rear Panel

Figure 2-11 VTO2000A/VTO2000A-2

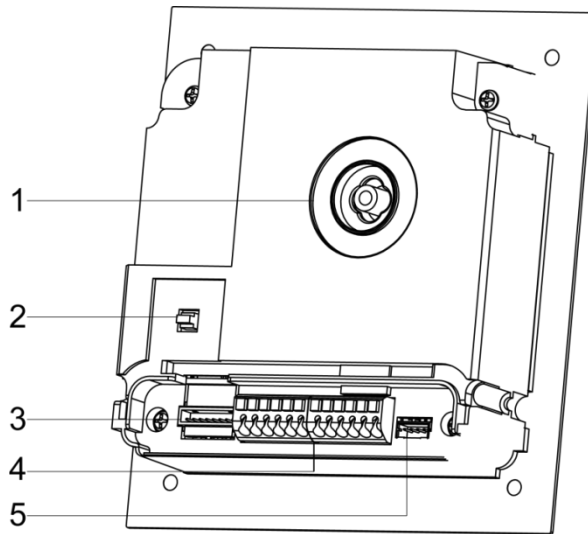


Table 2-6 Rear panel description


No.	Name	Description
1	Camera angle adjusting knob	Adjusts camera angle.
2	Tamper alarm	The VTO would make alarm sound if it is being removed from the wall by force, and the alarm will also be sent to the management center.
3	Ethernet port	Connects to the network with Ethernet cable.  For VTO2000A-2, this is a two-wire port.
4	Cable ports	Includes lock port, door sensor feedback port, and exit button port. See Figure 2-12 and Figure 2-13.
5	Reserved port	Reserved port.

Figure 2-12 Connecting cable (1)

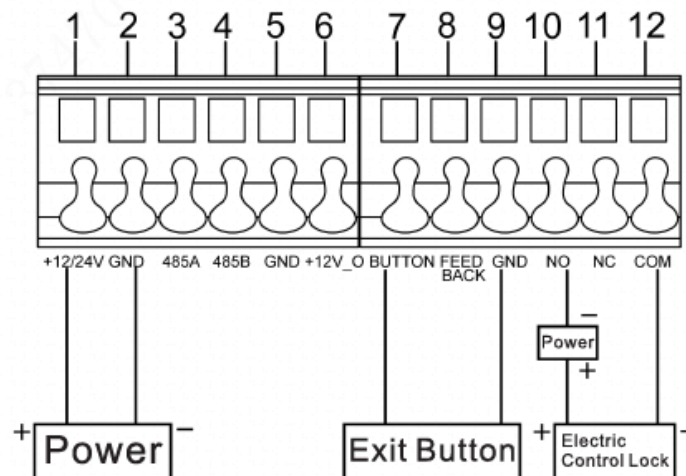
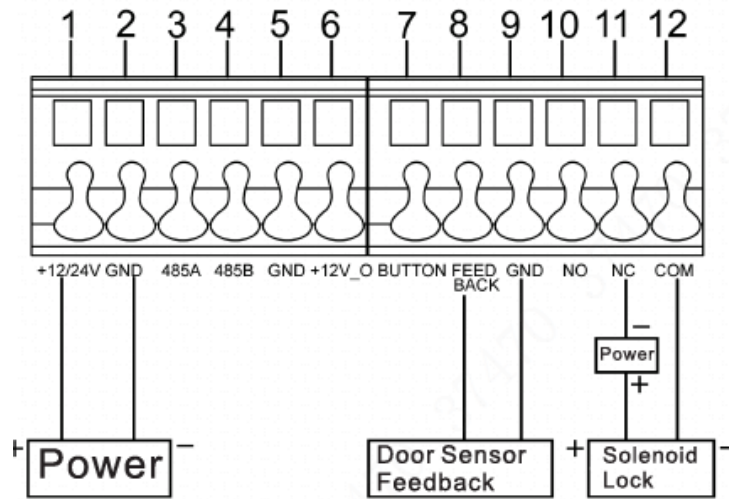


Figure 2-13 Connecting cable (2)



2.4 VTO2101E-P

2.4.1 Front Panel

Figure 2-14 VTO2101E-P

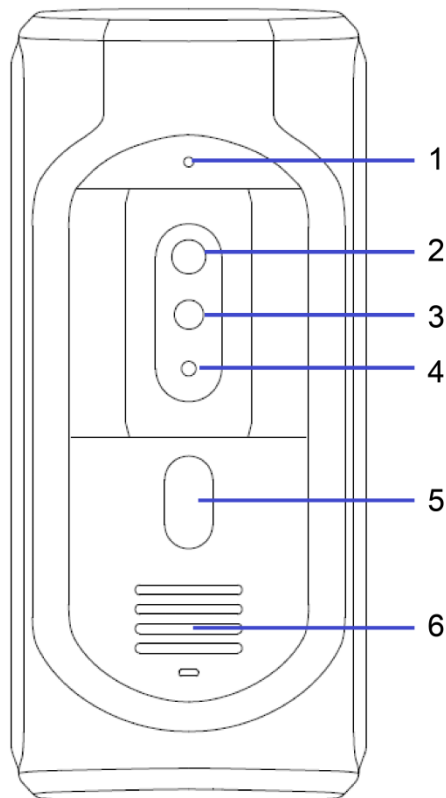


Table 2-7 Front panel description

No.	Name	Description
1	MIC	Inputs audio.
2	Camera	Monitors door area.

No.	Name	Description
3	IR Fill light	Provides extra IR light for the camera when it is dark.
4	Light sensor	Detects ambient lighting condition.
5	Call button	Press to call VTH or the management center.
6	Speaker	Outputs audio.

2.4.2 Rear Panel

Figure 2-15 VTO2101E-P

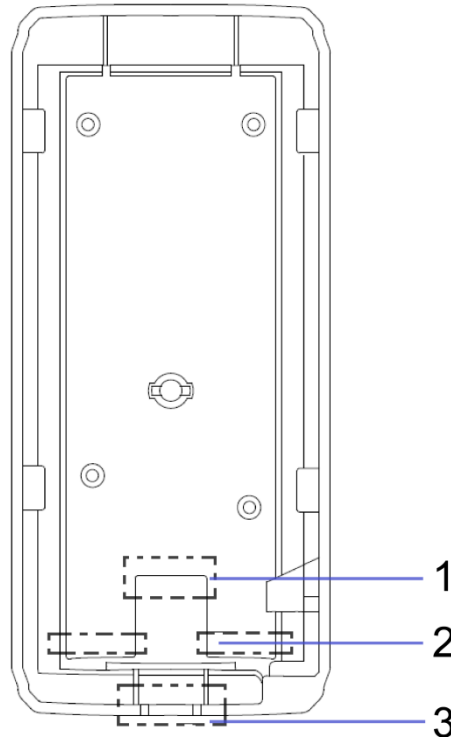


Table 2-8 Rear panel description

No.	Name	Description
1	Ethernet port	Connects to the network with Ethernet cable.
2	RS-485 ports	See Figure 2-16 and Table 2-9.
3	Cable tray	You can pull the cable through the cable tray.

Figure 2-16 Connecting cable

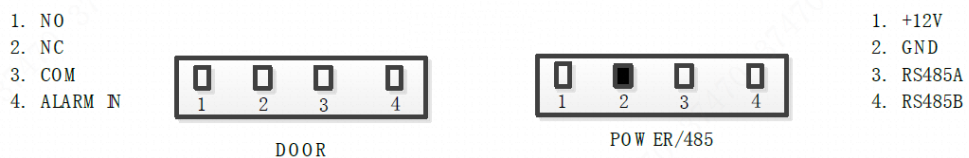


Table 2-9 Port description

Name	Description
NO	Normally open port of lock
NC	Normally closed port of lock
COM	Public port of lock
ALARM IN	Reserved for future use

Name	Description
+12V	12V DC power port
GND	Door sensor feedback
RS-485A	RS485 communication port
RS-485B	

2.5 VTO3211D-P

2.5.1 Front Panel

Number of buttons on the front panel varies on different models. VTO3211D-P2 has two buttons; VTO3211D-P4 has four buttons. The following figures use VTO3211D-P4 as example.

Figure 2-17 VTO3211D-P

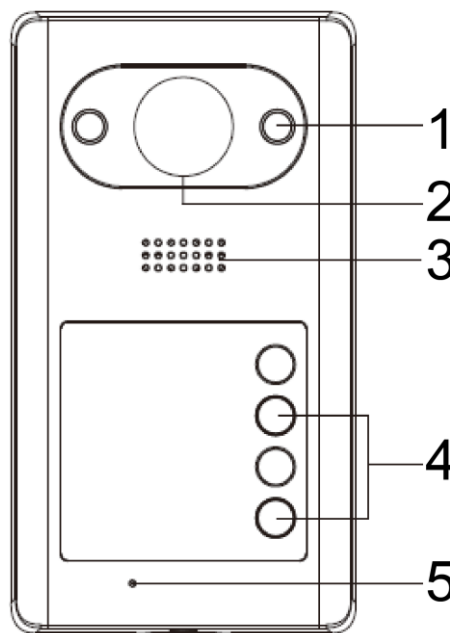


Table 2-10 Front panel description

No.	Name	Description
1	IR Fill light	Provides extra IR light for the camera when it is dark.
2	Camera	Monitors door area.
3	Speaker	Outputs audio.
4	Call button	Press to call VTH or the management center.
5	MIC	Inputs audio.

2.5.2 Rear Panel

Figure 2-18 VTO3211D-P

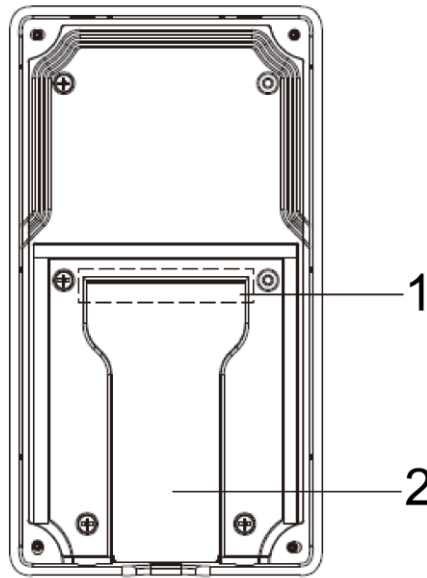


Table 2-11 Rear panel description

No.	Name	Description
1	Cable ports	See Figure 2-19 and Table 2-12.
2	Cable tray	You can pull the cable through the cable tray.

Figure 2-19 Connecting cable

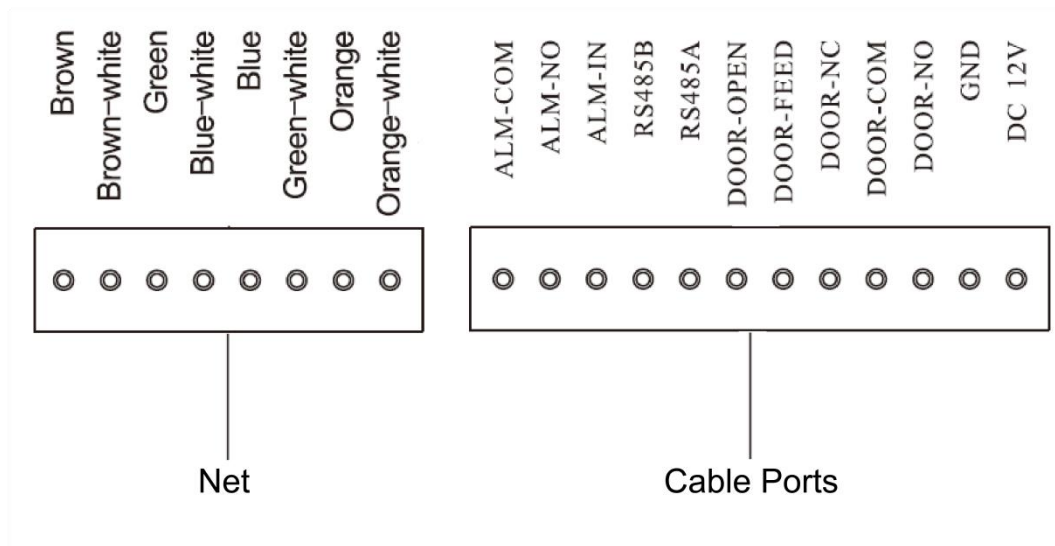


Table 2-12 Port description

Name	Description
DC 12V	12V DC power port
GND	Ground
DOOR-NO	Door lock NO port
DOOR-COM	Lock public port
DOOR-NC	Lock NC port
DOOR-FEED	Lock door sensor feedback

Name	Description
DOOR-OPEN	Door lock unlock button
RS485A	RS-485 communication
RS485B	
ALM-IN	Alarm input
ALM-NO	Alarm output
RS-485B	

3.1 Installation Requirement

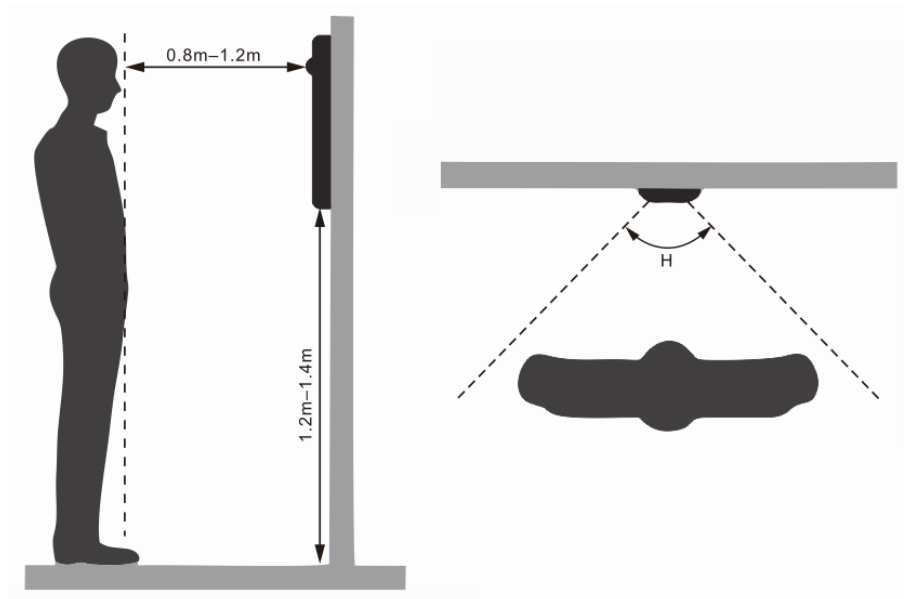
3.1.1 Notice

- Do not install the VTO to places with condensation, high temperature, grease or dust, chemical corrosion, direct sunlight, or zero shelter.
- The installation and adjustment must be finished by professional crew, and do not disassemble the VTO.

3.1.2 Guidance

See Figure 3-1 for the reference of the installation position. The VTO horizontal angle of view varies with different model, try to face to the center of the VTO as much as possible.

Figure 3-1 Installation position reference



3.2 Installing VTO

3.2.1 VTO6210B/VTO6210BW

Figure 3-2 VTO6210B/VTO6210BW installation

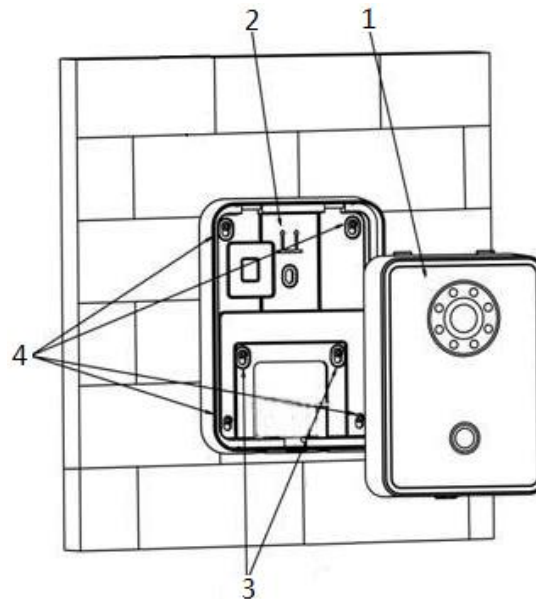


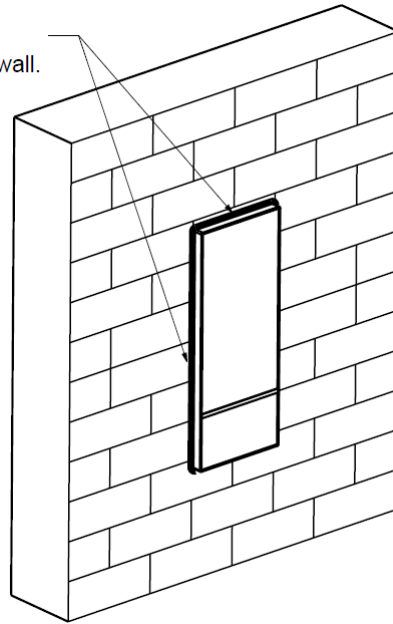
Table 3-1 Item list

No.	Item	No.	Item
1	VTO	2	Mounting bracket
3	M4 screw	4	ST3.0 screw

- Step 1** Fix the mounting bracket on the wall with the M4 screws, and then strengthen it with the ST3.0 screws.
- Step 2** Connect the ports on the rear panel to those in the wall through the mounting bracket. See "2.1.2 Rear Panel."
- Step 3** Put the VTO on the mounting bracket; fit the upper edge first and then push the lower edge gently.
- Step 4** Fix the VTO on the mounting bracket with the M3 screws.
- Step 5** Apply silica gel to gaps between the device and the wall.
Liquid sodium silicate is recommended.

Figure 3-3 Apply silica gel to gaps

Apply liquid sodium silicate to gaps between the device and the wall.



3.2.2 VTO6000CM/VTO6100C



Try not to install VTO6100C onto iron doors directly. Otherwise, signal and access card reader performance might be compromised.

Figure 3-4 VTO6000CM/VTO6100C installation

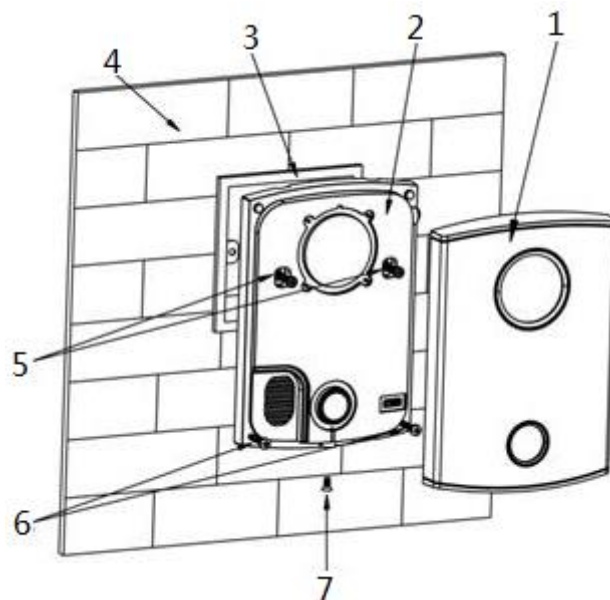


Figure 3-5 Apply silica gel to gaps

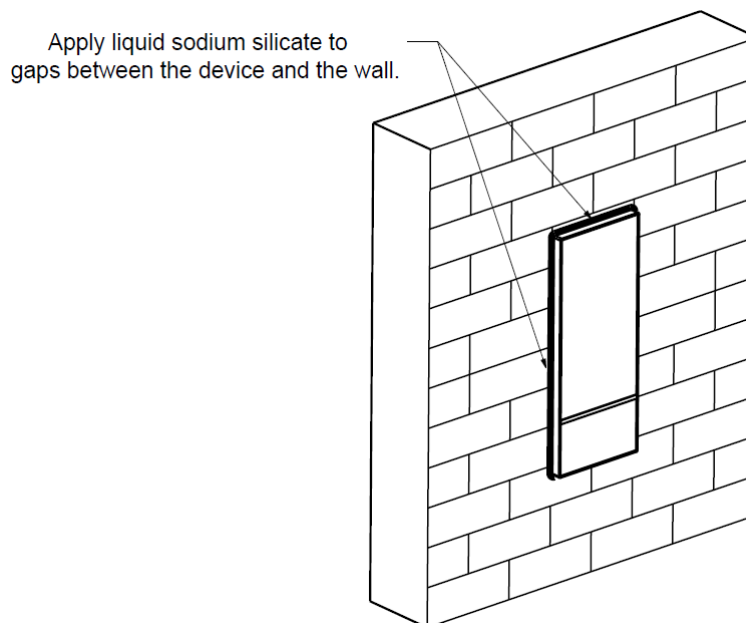


Table 3-2 Item list

No.	Item	No.	Item	No.	Item
1	Decorative cap	2	VTO	3	Mounting box
4	Wall	5	M4 screw	6	ST3.0 screw
7	M3 screw	8	–	9	–

Step 1 Dismantle M3 screws at the bottom of VTO and take off the decorative cap.

Step 2 Connect the ports on the rear panel to those in the wall through the mounting box. See "2.2.2 Rear Panel."

Step 3 Fix the VTO on the mounting box with M4 screws, and then strengthen it with the ST3.0 screws.

Step 4 Install the decorative cap on the VTO, and then fix it with M3 screw.

Step 5 Apply silica gel to gaps between the device and the wall.
Liquid sodium silicate is recommended.

3.2.3 VTO2000A/VTO2000A-2

3.2.3.1 Wall Mounted

Step 1 Drill screw holes on the wall according to those on the mounting bracket, and then put the expansion bolts in.

Step 2 Connect the ports on the rear panel to those in the wall through the mounting bracket. See "2.3.2 Rear Panel."

Step 3 Fix the mounting bracket on the wall with ST3×18 screws. See Figure 3-6.

Figure 3-6 VTO2000A/VTO2000A-2 wall mounted (1)

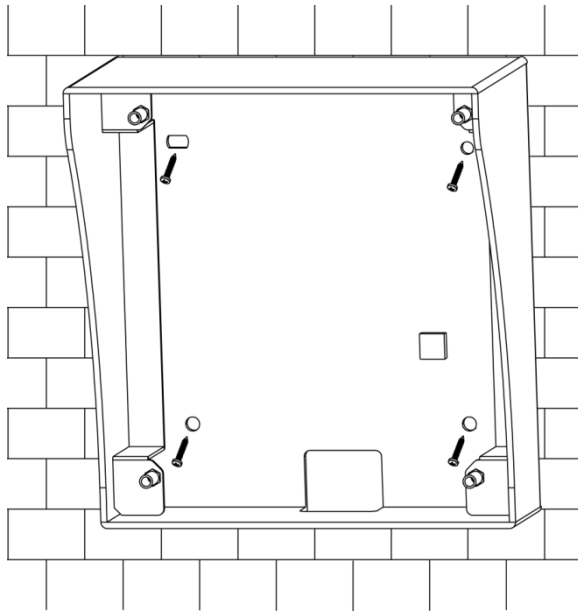
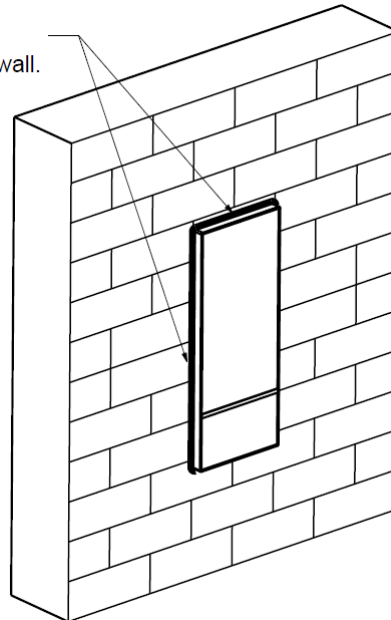


Figure 3-7 Apply silica gel to gaps

Apply liquid sodium silicate to gaps between the device and the wall.



Step 4 Fix the VTO on the mounting bracket with M3x6 screws. See Figure 3-8.

Step 5 Apply silica gel to gaps between the device and the wall.

Liquid sodium silicate is recommended.

Figure 3-8 VTO2000A/VTO2000A-2 wall mounted (2)

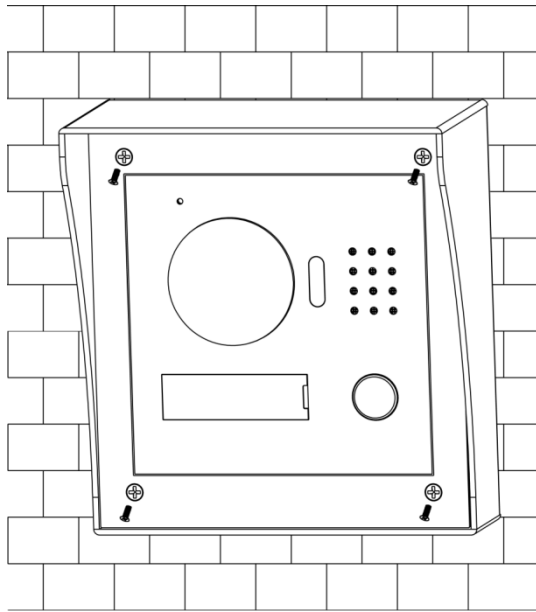
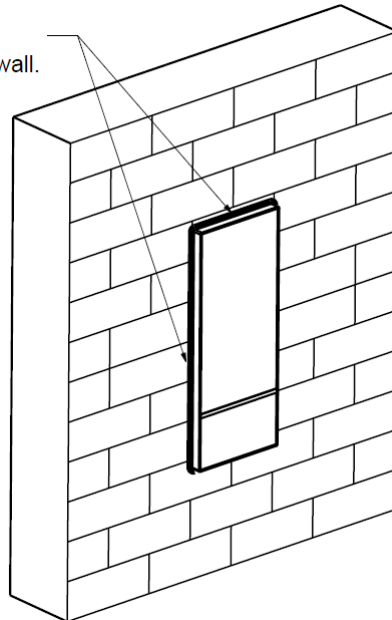


Figure 3-9 Apply silica gel to gaps

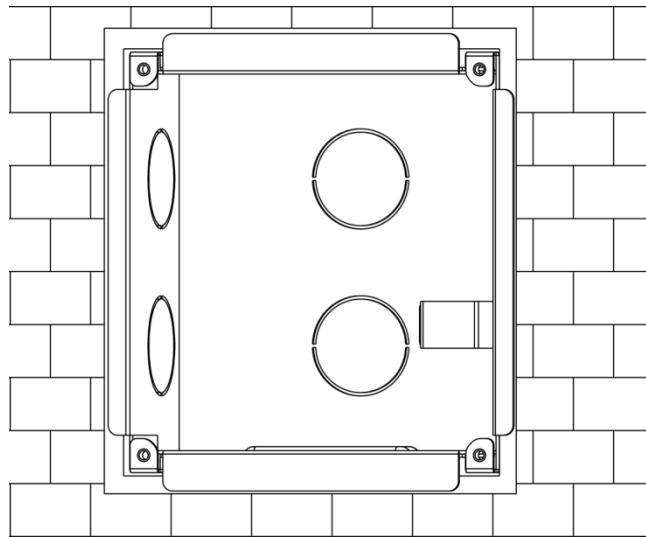
Apply liquid sodium silicate to gaps between the device and the wall.



3.2.3.2 Installing with Mounting Box

Step 1 Cut an opening with the size of the mounting box on the wall, and then put the mounting box in. See Figure 3-10.

Figure 3-10 VTO2000A/VTO2000A-2 with mounting box (1)



Step 2 Connect the ports on the rear panel to those in the wall through the mounting box. See "2.3.2 Rear Panel."

Step 3 Fix the VTO in the mounting box with the M3x8 screws. See Figure 3-11.

Step 4 Apply silica gel to gaps between the device and the wall.

Liquid sodium silicate is recommended.

Figure 3-11 VTO2000A/VTO2000A-2 with mounting box (2)

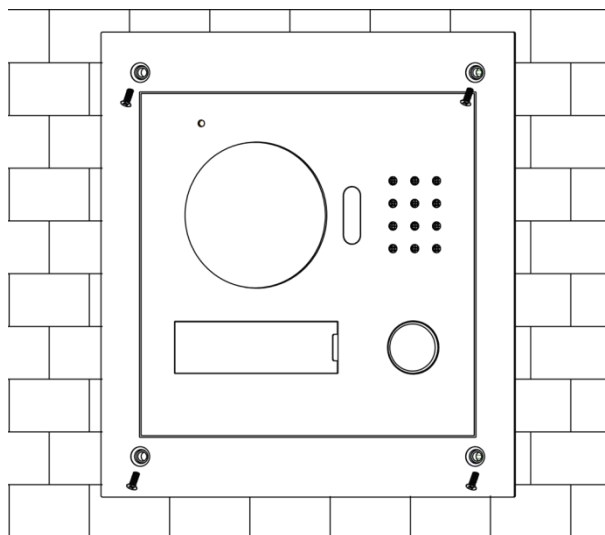
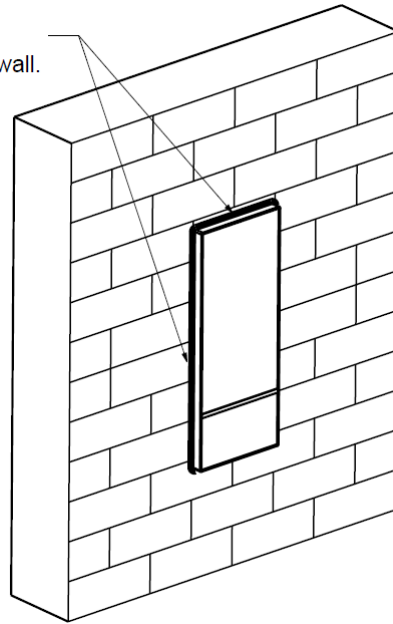


Figure 3-12 Apply silica gel to gaps

Apply liquid sodium silicate to gaps between the device and the wall.



3.2.4 VTO2101E-P

Figure 3-13 VTO2101E-P installation

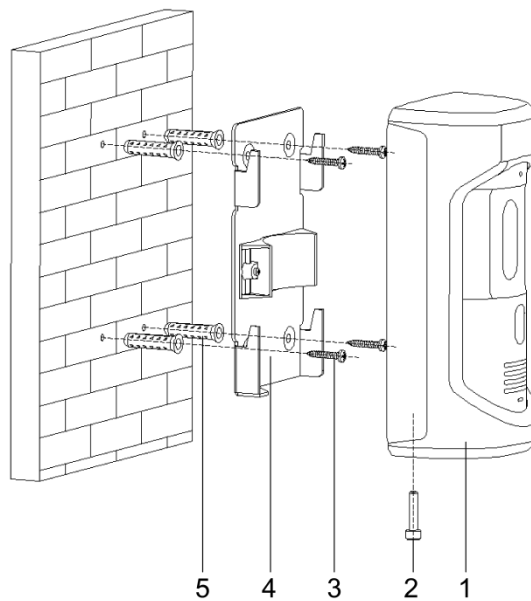


Table 3-3 Item list

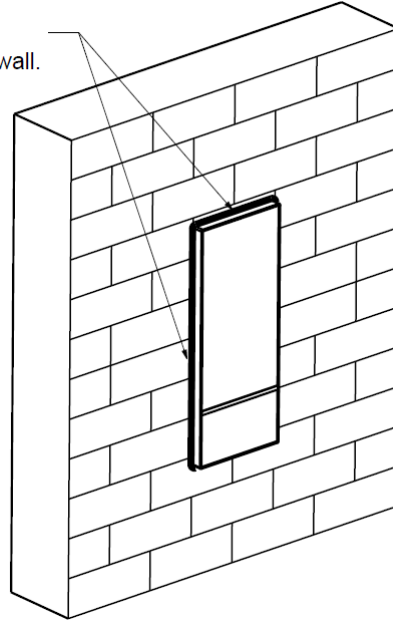
No.	Item	No.	Item	No.	Item
1	VTO	2	M4×30 screw	3	ST3×18 screw
4	Mounting bracket	5	Expansion bolt	6	—

- Step 1** Drill screw holes on the wall according to those on the mounting bracket, and then put the expansion bolts in.
- Step 2** Connect the ports on the rear panel to those in the wall through the mounting bracket. See "2.4.2 Rear Panel."
- Step 3** Fix the mounting bracket on the wall with ST3×18 screws.
- Step 4** Fix the VTO on the bracket with the M4×30 screw.
- Step 5** Apply silica gel to gaps between the device and the wall.

Liquid sodium silicate is recommended.

Figure 3-14 Apply silica gel to gaps

Apply liquid sodium silicate to gaps between the device and the wall.



3.2.5 VTO3211D-P

Figure 3-15 VTO3211D-P installation

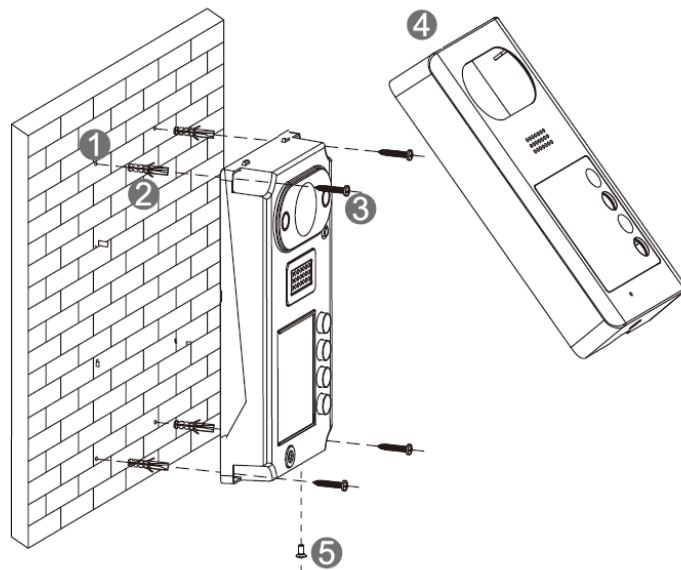


Table 3-4 Item list

No.	Item	No.	Item	No.	Item
1	Wall	2	Expansion bolt	3	ST3×20 screw
4	VTO cover	5	M3×6 screw	6	—

Step 1 Drill screw holes on the wall according to those on the VTO, and then put the expansion bolts in.

Step 2 Connect the ports on the rear panel to those in the wall. See "2.5.2 Rear Panel."

Step 3 Fix the VTO on the wall with ST3x20 screws.

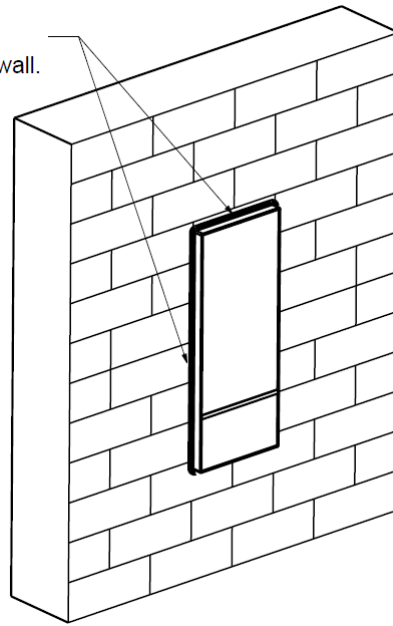
Step 4 Fix the VTO cover on the VTO with M3x6 screws.

Step 5 Apply silica gel to gaps between the device and the wall.

Liquid sodium silicate is recommended.

Figure 3-16 Apply silica gel to gaps

Apply liquid sodium silicate to gaps between the device and the wall.



This chapter introduces how to initialize, connect, and make primary configurations to the VTO and VTH devices to realize basic functions, including device management, calling, and monitoring. For more detailed configuration, see the user's Manual.

4.1 Configuration Process



Before configuration, check every device and make sure there is no short circuit or open circuit in the circuits.

Step 1 Plan IP address for every device, and also plan the unit number and room number you need.

Step 2 Configure VTO. See "4.3 Configuring VTO."

- 1) Initialize VTO. See "4.3.1 Initialization."
- 2) Configure VTO number. See "4.3.2 Configuring VTO Number."
- 3) Configure VTO network parameters. See "4.3.3 Configuring Network Parameters."
- 4) Configure SIP Server. See "4.3.4 Configuring SIP Server."
- 5) Configure target room number and group call. See "4.3.5 Configuring Call No. and Group Call."
- 6) Add VTO devices to the SIP server. See "4.3.6 Adding VTO Devices."
- 7) Add room number to the SIP server. See "4.3.7 Adding Room Number."

Step 3 Configure VTH. See the VTH users' manual.

Step 4 Verify Configuration. See "4.4 Verifying Configuration."

4.2 VDPConfig

You can download the "VDPConfig" and perform device initialization, IP address modification and system upgrading for multiple devices at the same time. For the detailed information, see the corresponding user's manual.

4.3 Configuring VTO

Connect the VTO to your PC with network cable, and for first time login, you need to create a new password for the web interface.

4.3.1 Initialization

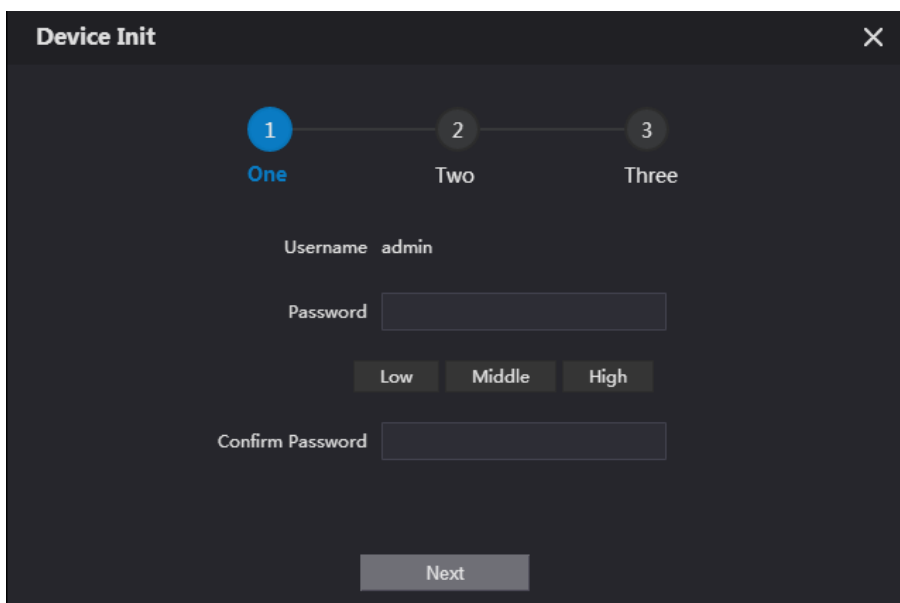
The default IP address of VTO is 192.168.1.110, and make sure the PC is in the same network segment as the VTO.

Step 1 Connect the VTO to power source, and then boot it up.

Step 2 Open the internet browser on the PC, then enter the default IP address of the VTO in the address bar, and then press Enter.

The **Device Init** interface is displayed. See Figure 4-1.

Figure 4-1 Device initialization



Step 3 Enter and confirm the password, and then click **Next**.

The Email setting interface is displayed.

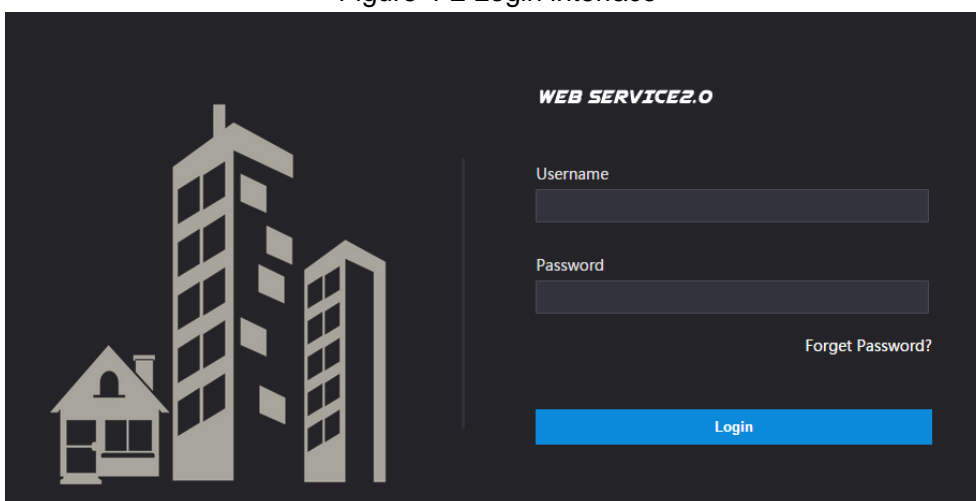
Step 4 Select the **Email** check box, and then enter your Email address. This Email address can be used to reset the password, and it is recommended to finish this setting.

Step 5 Click **Next**. The initialization succeeded.

Step 6 Click **OK**.

The login interface is displayed. See Figure 4-2.

Figure 4-2 Login interface



4.3.2 Configuring VTO Number

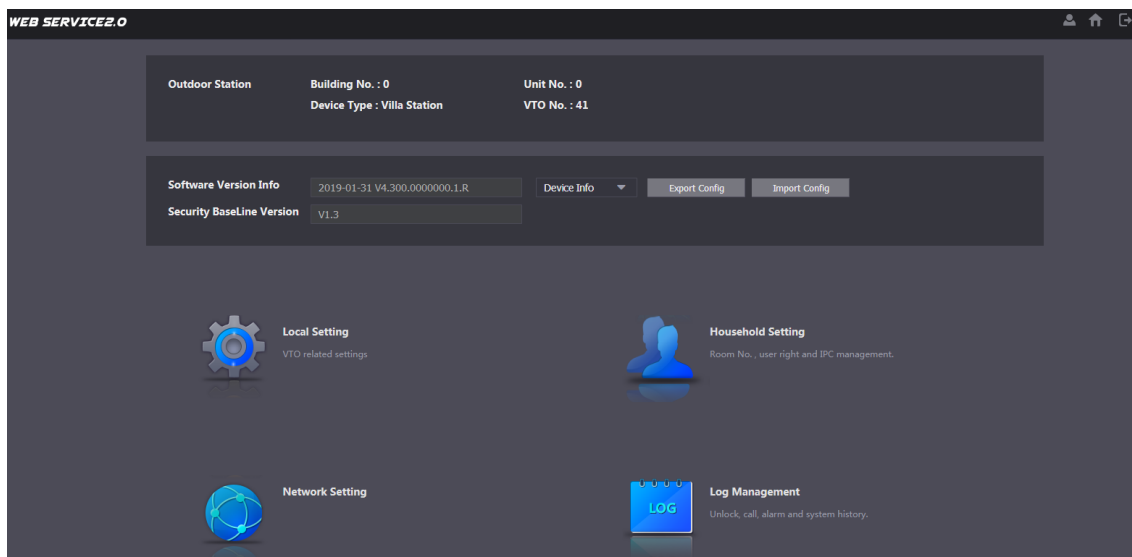
The VTO number can be used to differentiate each VTO, and it is normally configured according to unit or building number.



- You can change the number of a VTO when it is not working as SIP server.
- The VTO number can contain 5 numbers at most, and it cannot be the same as any room number.

Step 1 Log in the web interface of the VTO, and then the main interface is displayed. See Figure 4-3.

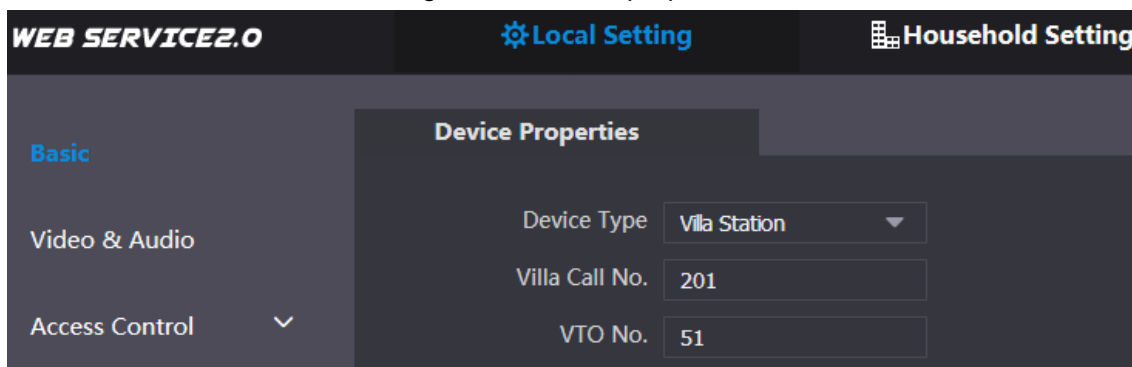
Figure 4-3 Main interface



Step 2 Select Local Setting > Basic.

The device properties are displayed. See Figure 4-4.

Figure 4-4 Device properties



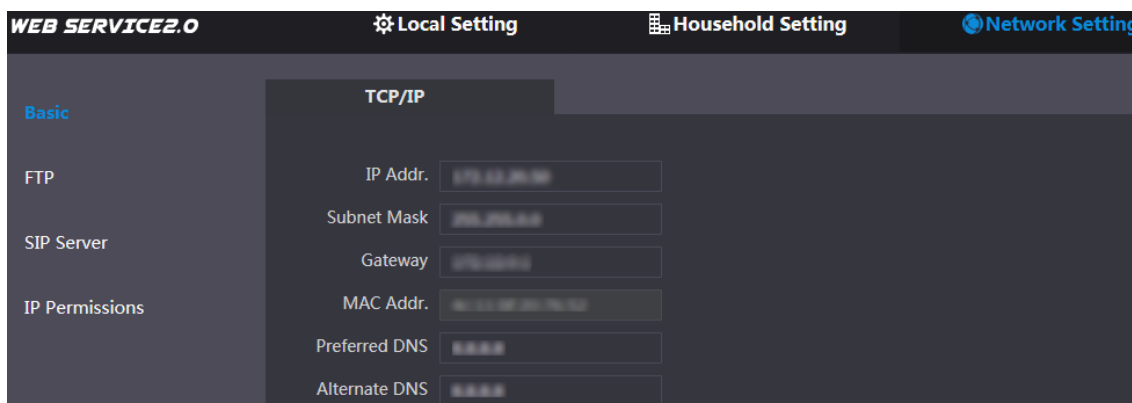
Step 3 In the **VTO No.** input box, enter the VTO number you planned for this VTO, and then click **Confirm** to save.

4.3.3 Configuring Network Parameters

Step 1 Select Network Setting > Basic.

The **TCP/IP** information is displayed. See Figure 4-5.

Figure 4-5 TCP/IP information



Step 2 Enter the network parameters you planned, and then click **Save**.

The VTO will reboot, and you need to modify the IP address of your PC to the same network segment as the VTO to log in again.

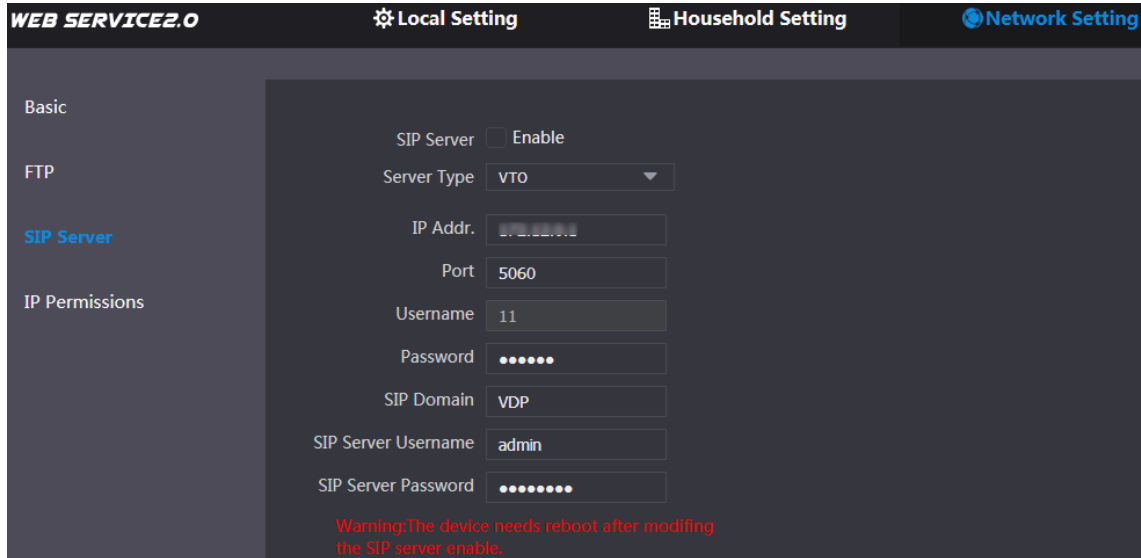
4.3.4 Configuring SIP Server

The SIP server is required in the network to transmit intercom protocol, and then all the VTO and VTH devices connected to the same SIP server can make video call between each other. You can use VTO device or other servers as SIP server.

Step 1 Select Network Setting > SIP Server.

The **SIP Server** interface is displayed. See Figure 4-6.

Figure 4-6 SIP server



Step 2 Select the server type you need.

- If the VTO you are visiting works as SIP server
Select the **Enable** check box at **SIP Server**, and then click **Save**.
The VTO will reboot, and after rebooting, you can then add VTO and VTH devices to this VTO. See "4.3.6 Adding VTO Devices and 4.3.7 Adding Room Number."



If the VTO you are visiting does not work as SIP server, do not select the **Enable** check box at **SIP Server**, otherwise the connection will fail.

- If other VTO works as SIP server
Select **VTO** in the **Server Type** list, and then configure the parameters. See Table 4-1.

Table 4-1 SIP server configuration

Parameter	Description
IP Addr.	The IP address of the VTO which works as SIP server.
Port	5060
Username	Keep the default value.
Password	
SIP Domain	VDP
SIP Server Username	The user name and password for the web interface of the SIP server.
SIP Server Password	

- If other servers work as SIP server
Select the server type you need in the **Server Type** list, and then see the corresponding manual for the detailed configuration.

4.3.5 Configuring Call No. and Group Call

You need to configure call No. on every VTO, and then all the VTO will call the defined room when you press the call button. On the SIP server, you can enable group call function, and when calling a master VTH, the extension VTH devices receive the call as well.

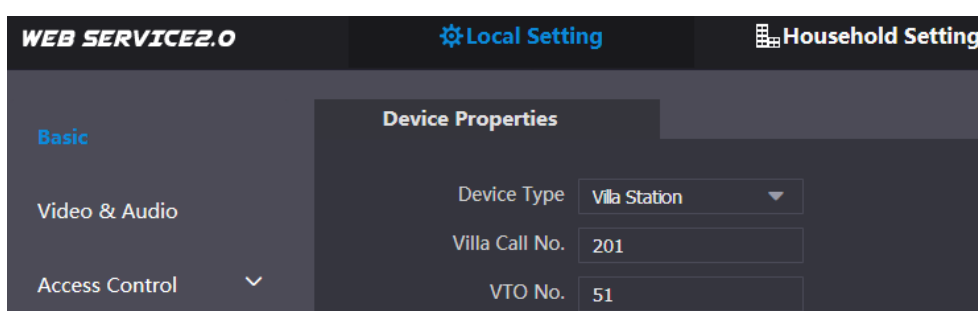


Enabling or disabling group call function will erase all the added VTH, so you need to perform this operation before adding VTO and VTH.

Step 1 Select Local Setting > Basic.

The device properties are displayed. See Figure 4-7.

Figure 4-7 Device properties

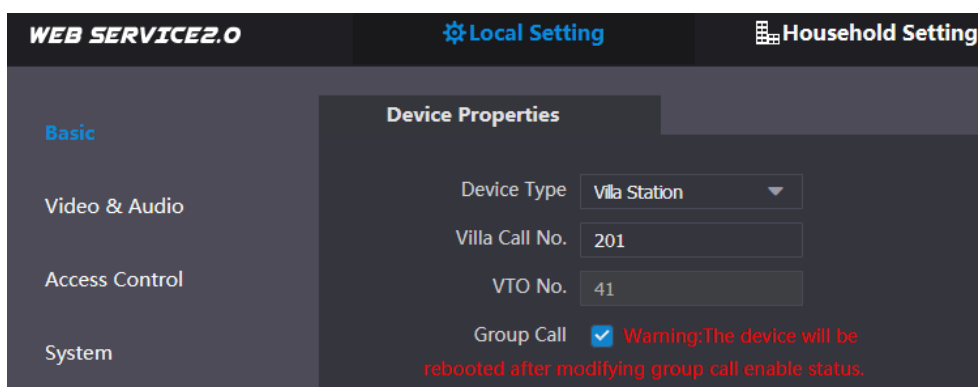


Step 2 In the **Villa Call No.** input box, enter the room number you need to call, and then click **Confirm** to save. Repeat this operation on every villa VTO web interface.

Step 3 Log in the web interface of the SIP server, and then select **Local Setting > Basic**.

The device properties are displayed. See Figure 4-8.

Figure 4-8 SIP server device properties



Step 4 Select the **Group Call** check box, and then click **Confirm**.

The VTO will reboot, and when calling a master VTH, the extension VTH devices receive the call as well.

4.3.6 Adding VTO Devices

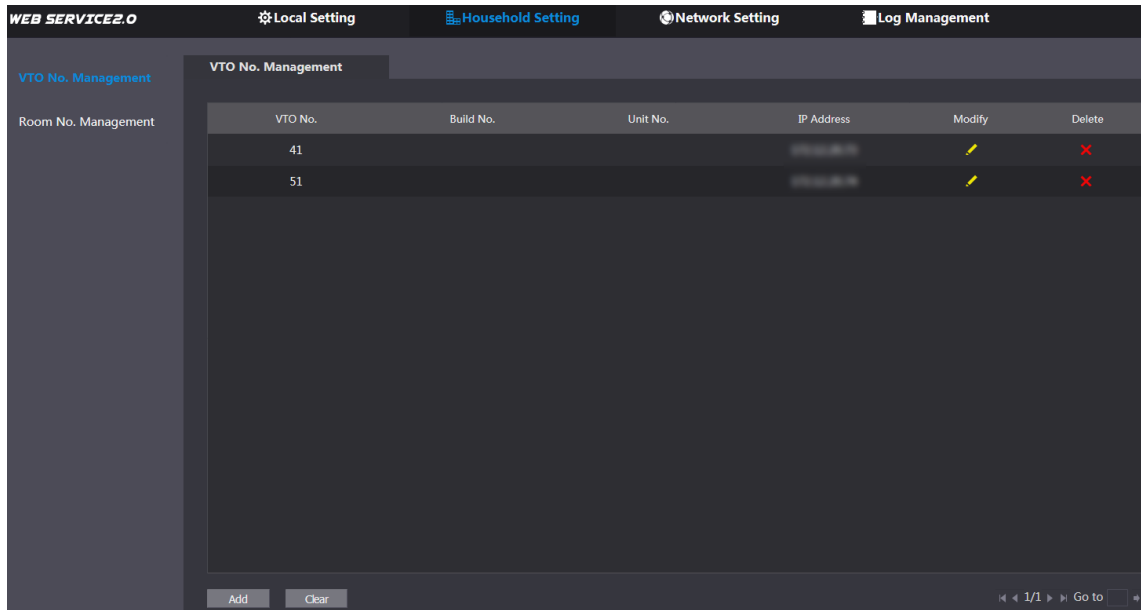
You can add VTO devices to the SIP server, and all the VTO devices connected to the same SIP server can make video call between each other. This section applies to the condition in

which a VTO device works as SIP server, and if you are using other servers as SIP server, see the corresponding manual for the detailed configuration.

Step 1 Log in the web interface of the SIP server, and then select **Household Setting > VTO No. Management**.

The **VTO No. Management** interface is displayed. See Figure 4-9.

Figure 4-9 VTO No. management



Step 2 Click **Add**.

The **Add** interface is displayed. See Figure 4-10.

Figure 4-10 Add VTO

Step 3 Configure the parameters, and be sure to add the SIP server itself too. See Table 4-2.

Table 4-2 Add VTO configuration

Parameter	Description
Rec No.	The VTO number you configured for the target VTO. See the details in "4.3.2 Configuring VTO Number."
Register Password	Keep default value.

Parameter	Description
Build No.	Available only when other servers work as SIP server.
Unit No.	
IP Address	The IP address of the target VTO.
Username	The user name and password for the web interface of the target VTO.
Password	

Step 4 Click **Save**.

4.3.7 Adding Room Number

You can add the planned room number to the SIP server, and then configure the room number on VTH devices to connect them to the network. This section applies to the condition in which a VTO device works as SIP server, and if you use other servers as SIP server, see the corresponding manual for the detailed configuration.

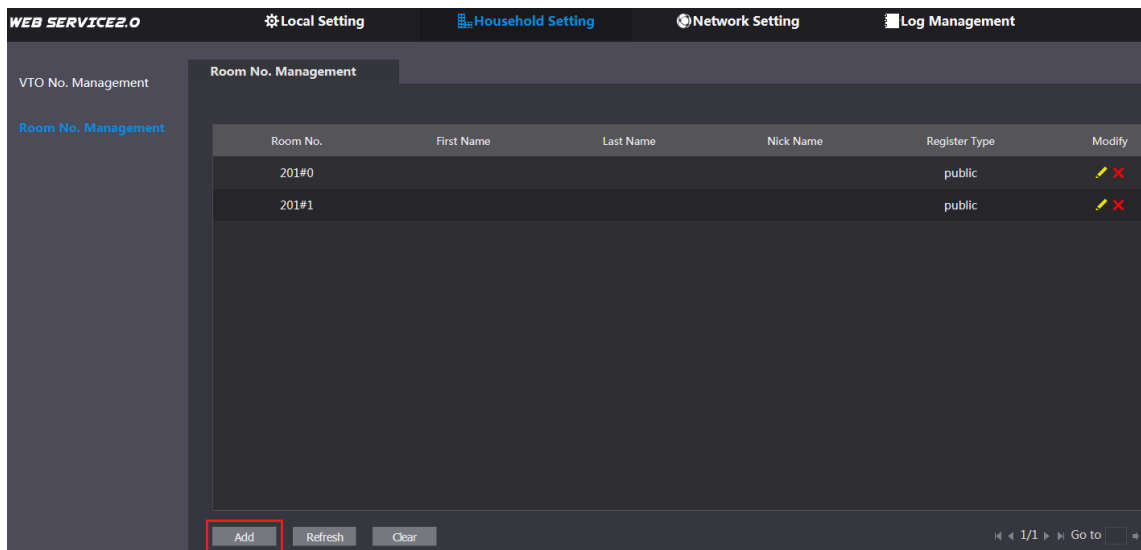


The room number can contain 6 digits of numbers or letters or their combination at most, and it cannot be the same as any VTO number.

Step 1 Log in the web interface of the SIP server, and then select **Household Setting > Room No. Management**.

The **Room No. Management** interface is displayed. See Figure 4-11.

Figure 4-11 Room No. Management




Step 2 Click the **Add**. See Figure 4-11.

The **Add** interface is displayed. See Figure 4-12.

Figure 4-12 Add single room number

Step 3 Configure room information. See Table 4-3.

Table 4-3 Room information

Parameter	Description
First Name	Enter the information you need to differentiate each room.
Last Name	
Nick Name	
Room No.	<p>The room number you planned.</p>  <ul style="list-style-type: none"> If you use multiple VTH devices, the room number of the master VTH should be "room number#0", and the room number of the extension VTH should be "room number#1", "room number#2", and so on. You can have 9 extension VTH devices at most for one master VTH.
Register Type	Select public , and local is reserved for future use.
Register Password	Keep the default value.

Step 4 Click **Save**.

The added room number is displayed. Click  to modify room information, and click

 to delete a room.

4.4 Verifying Configuration

4.4.1 Calling VTH from VTO

Press the call button on the VTO.

The VTO is calling the defined VTH. See Figure 4-13.

Figure 4-13 Call screen

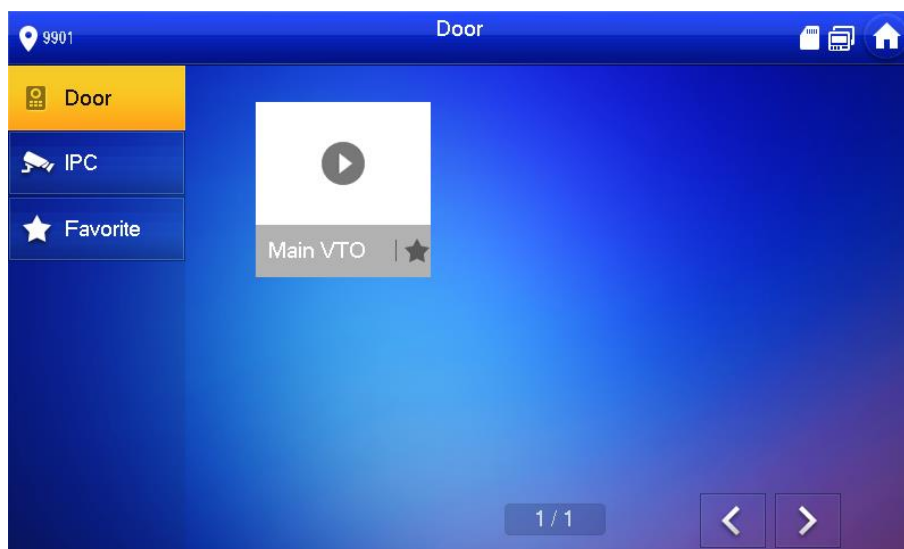


Tap  on the VTH to answer the call.

4.4.2 Monitoring from VTH

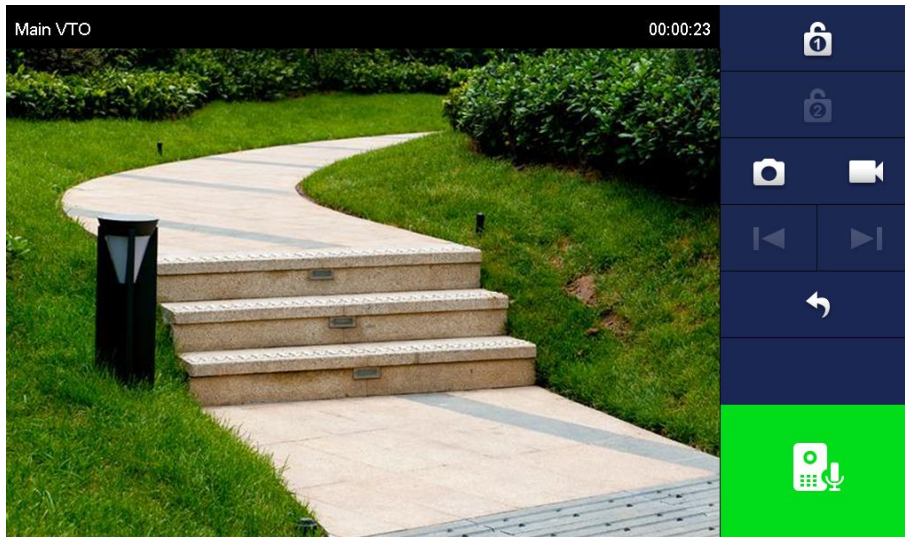
Step 1 In the main interface of the VTH, select **Monitor > Door**.
The **Door** interface is displayed. See Figure 4-14.

Figure 4-14 Door



Step 2 Select the VTO you need to do monitor.
The monitor screen is displayed. See Figure 4-15.

Figure 4-15 Monitor screen



5

Connecting Mobile Phone App

You can download the mobile phone app, and then add your villa VTO to the app. When someone is calling you from the villa VTO, there will be push message on your phone, and you can talk to the visitor or unlock the door remotely on your phone.

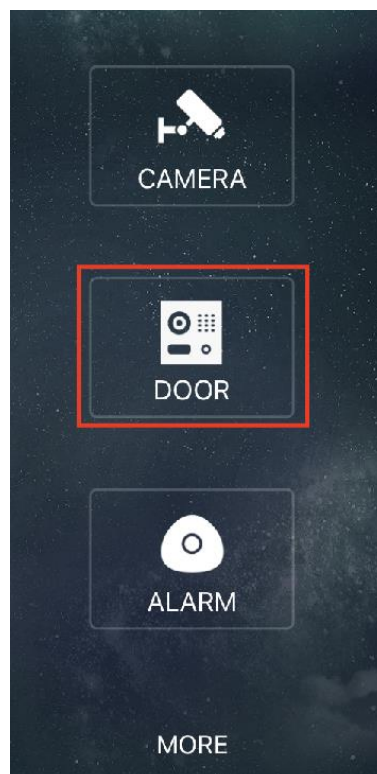
Step 1 Scan the following QR code to download and install the app.

Figure 5-1 QR code



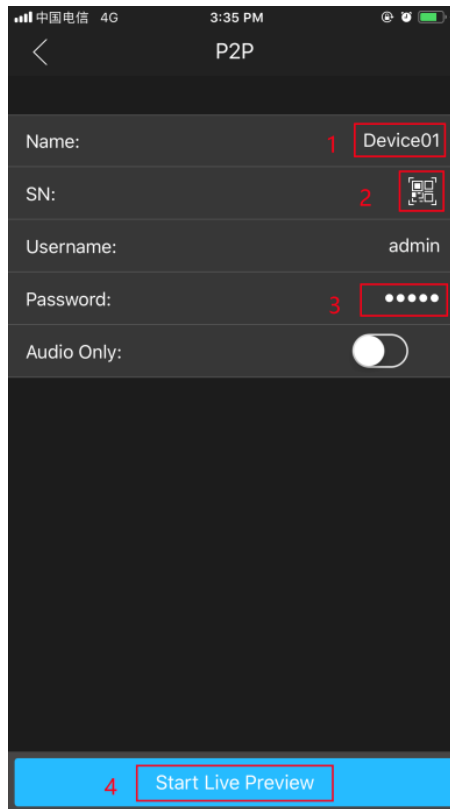
Step 2 Run the app, and then select **DOOR** on the home page. See Figure 5-2.


Figure 5-2 Home page



Step 3 Tap the "+" sign to add device, and the tap **Add Device > P2P**. The **P2P** interface is displayed. See Figure 5-3.

Figure 5-3 P2P



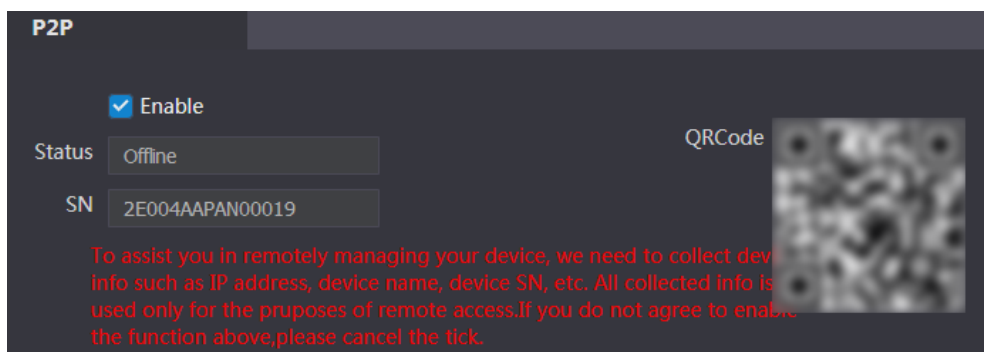
Step 4 Give a name to your target VTO, and then tap the  sign. The mobile phone starts to scan.

Step 5 Log in the web interface of the VTO you need to add, and then select **Network**. The **P2P** interface is displayed. See Figure 5-4.



For VTO3211D, select **Household Setting > Room No. Management** to get the QR code.

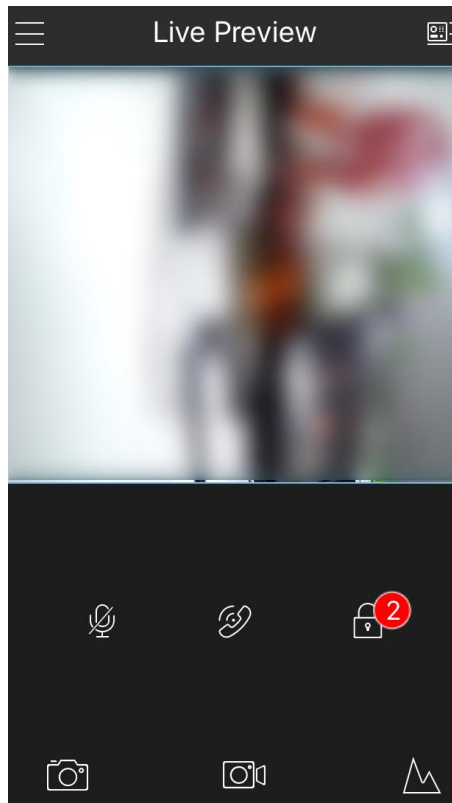
Figure 5-4 P2P



Step 6 Scan the QR code with your phone, then enter the user name and password of its web interface, and then tap **Start Live Preview**.

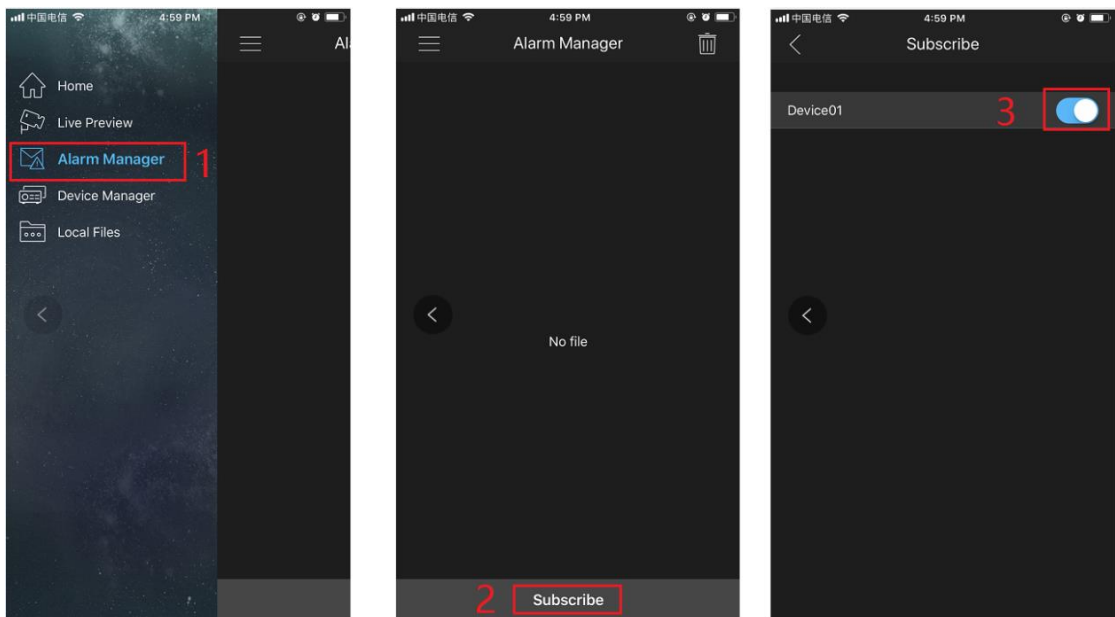
The live video is displayed. And you can also start audio intercom or unlock the door. See Figure 5-5.

Figure 5-5 Live



Step 7 Tap **Alarm Manager** > **Subscribe**, and then subscribe the VTO you need. See Figure 5-6.

Figure 5-6 Subscribe



When someone is calling you from the subscribed villa VTO, there will be push message on your phone. See Figure 5-7.

Figure 5-7 Push

